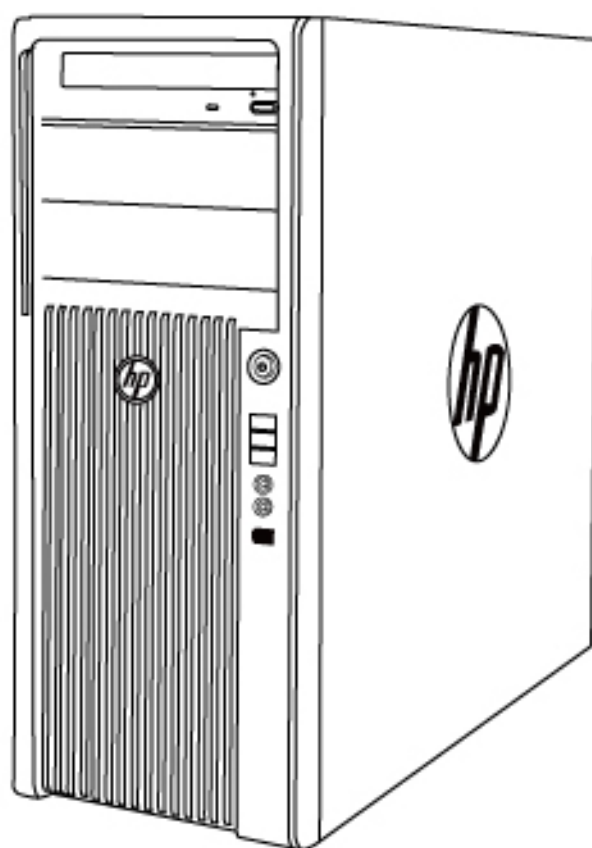




Advanced Skyline Technology Ltd.

USER GUIDE

HP Z210 WORKSTATION COMPUTER



USER GUIDE

HP Z210 WORKSTATION COMPUTER

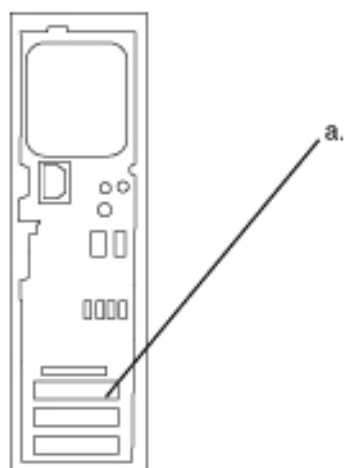
Follow these quick tips to assist you in configuring your new HP Z210 Workstation Computer



Advanced Skyline Technology Ltd.

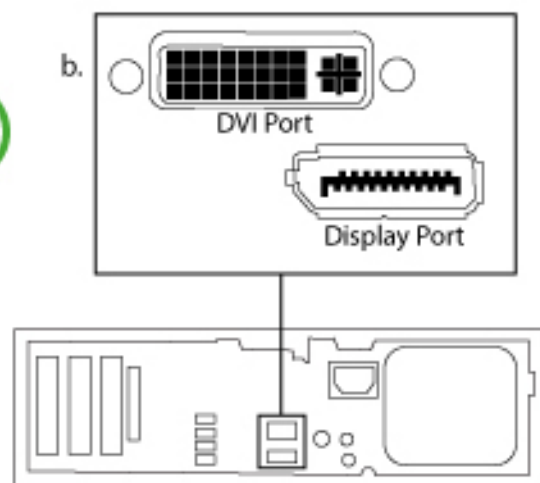
Your HP Z210 workstation is equipped for dual monitor support using the upgraded (a) **NVidia NVS295** video card installed in one of the expansion slots.

1



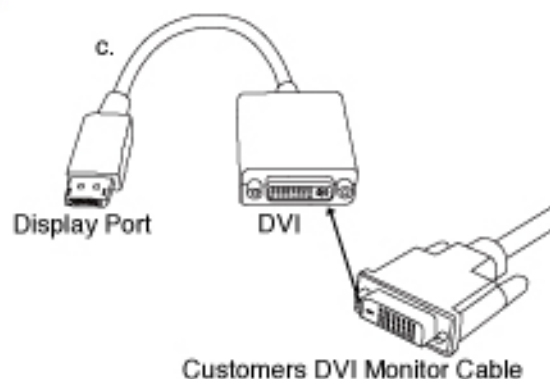
The on board video ports; (b) **DVI + Display port** are **permanently disabled**.

2



If you do not have a monitor equipped with a Display Port input - please use the (c) **Display Port to DVI adaptor** that has been included with your purchase:

3



NB: The use of (d) additional adaptors (to convert DVI to VGA) **WILL NOT WORK** and you will experience a "No Signal" condition on your monitor.

4

