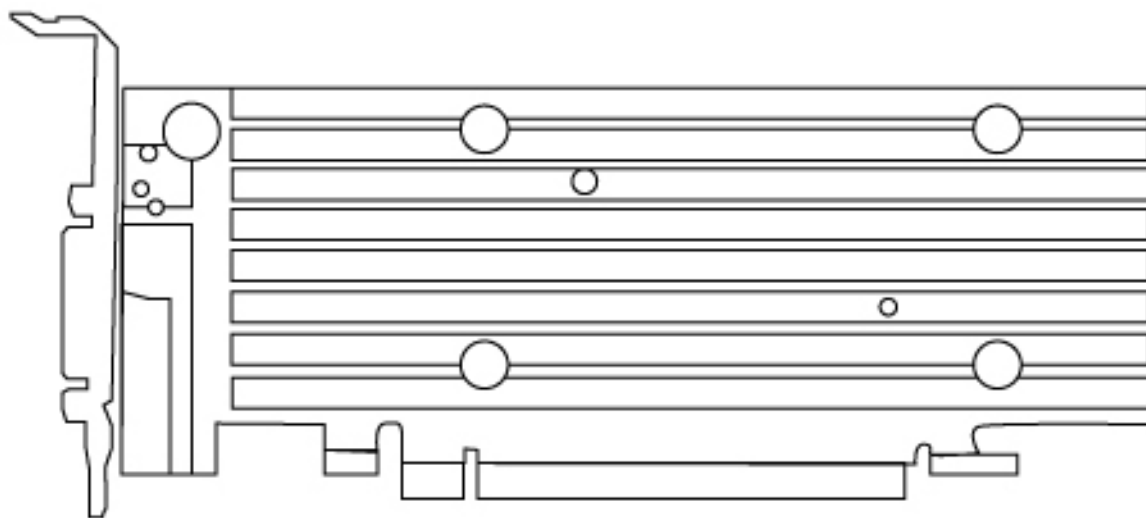




Advanced Skyline Technology Ltd.

USER GUIDE

ENHANCED VIDEO CARD CONNECTION





Advanced Skyline Technology Ltd.

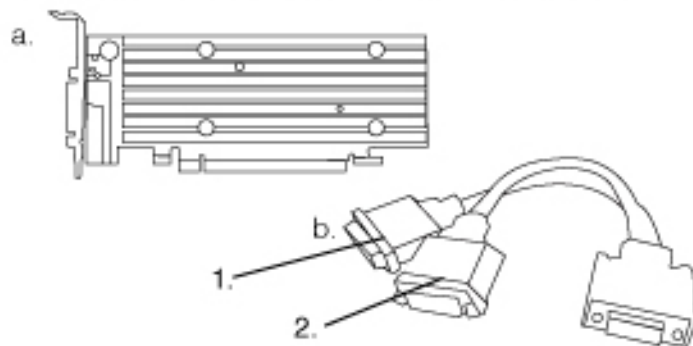
USER GUIDE

ENHANCED VIDEO CARD

Follow these steps to connect and use your enhanced video card with your monitor(s).

1

Your AST quality refurbished computer has been equipped with an added (a) **enhanced video card** and (b) **'Y' DVI video cable** with dual monitor capabilities.



*Use 'Y' DVI video cable connector **NUMBER 1** for your primary monitor. Use 'Y' DVI video cable connector **NUMBER 2**, for your secondary monitor

2

The enhanced video card has been inserted in the (c) **video expansion slot** in your PC.



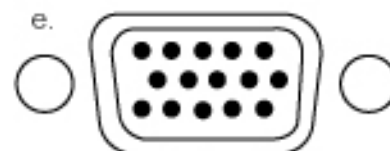
To utilize the enhanced video card, your monitor(s) must be equipped with a (d) **DVI video connector**.



3

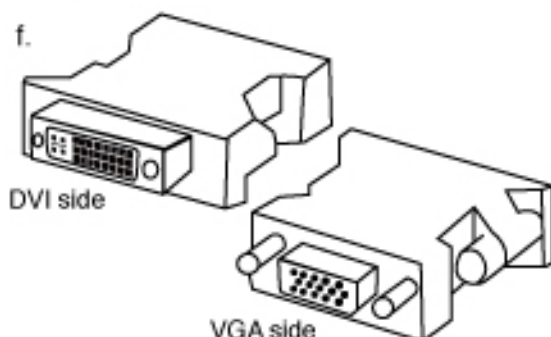
NB: When an enhanced video card is inserted in the video expansion slot in your PC, the **on board VGA connector** is automatically disabled.

If you wish to use your new AST PC with a monitor equipped with the older (e) **VGA standard connector**. See steps 4 & 5



4

You can purchase either a (f) **DVI to VGA adaptor** at your local computer or electronics store.



5

OR

Remove the added enhanced capability video card from your PC which will energize the (g) **onboard VGA connector**.

